

JBC C120001

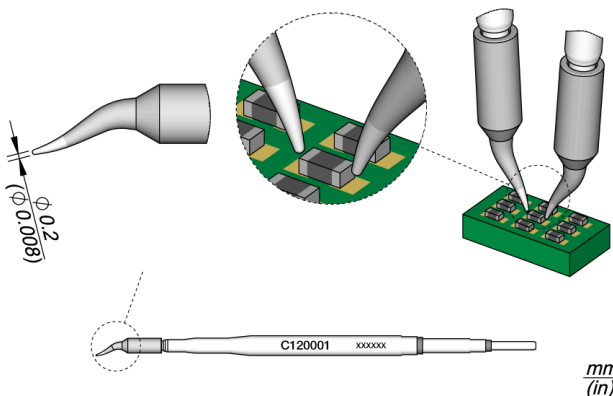
Conical Bent Cartridge Ø 0.2

C120 cartridges are appropriate for soldering and desoldering chip components or dual in line easily, reducing handling time.

They work with Micro Tweezers which enables to align the cartridges according to the user needs.

JBC Long Life Tips offer instant heat up, excellent heat transfer and great durability.

They last 5 times longer than other brands thanks to the JBC Most Efficient Soldering System and the Sleep & Hibernation features.



Cartridges are sold individually

REFERENCE

C120001

SPECIFICATIONS

Net weight 0,002 kg (0.00lb)

WEIGHT AND DIMENSIONS

2 gr (0.00 lb)

15 gr (0.03 lb)

110 x 12 x 12 mm

This website uses own and third-party technical, analysis and advertising cookies to anonymously facilitate browsing, customise the advertising and analyse website use statistics. We deem that by continuing to browse you accept their use. [Learn more](#)

Manage Preferences

Reject All

Accept All



AM120-A

Adjustable Micro Tweezers