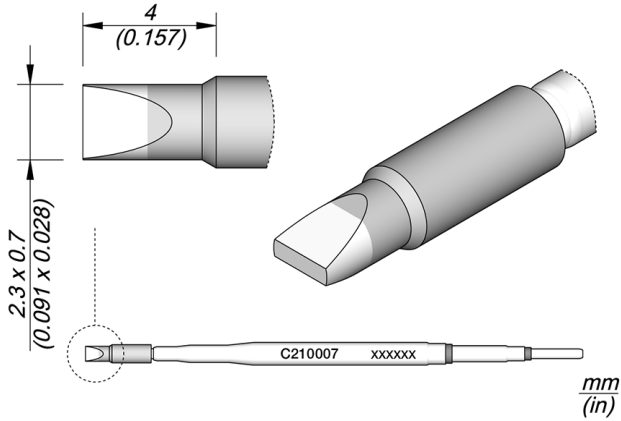


**JBC C210007**

## Chisel Cartridge 2.3 x 0.7



C210 cartridges are appropriate for precision soldering jobs with medium power requirements.

Due to the size, these cartridges are perfect to work with SMD, under a microscope, or with conventional components.

They work with T210 Precision Handpieces.

JBC Long Life Tips offer instant heat up, excellent heat transfer and great durability.

They last 5 times longer than other brands thanks to the JBC Most Efficient Soldering System and the Sleep & Hibernation features.

### REFERENCE

**C210007**

### SPECIFICATIONS

**Net weight** 0,002 kg (0.00lb)**WEIGHT AND DIMENSIONS****Package** 110 x 12 x 12 mm / 0.02 kg.

4.33 x 0.47 x 0.47 in / 0.03 lb

Copyright © 2023 JBC Soldering S.L. | [Legal Notice](#) | [Privacy Policy](#) | [Terms and Conditions](#) | [Cookie policy](#) | [RSS Feed](#) | [JBC Store](#) | [Contact Us](#)

## CONNECTABLES

### Compatible tools



T210-A

Precision Handle



T210-PA

Blue Grip Precision Handle