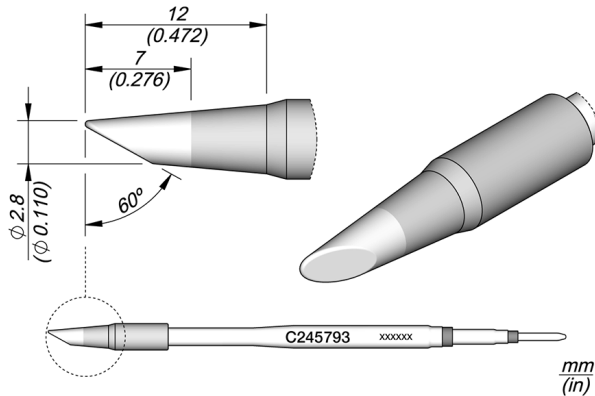


**JBC C245793****Bevel Cartridge Ø 2.8****JBC**

Product Application Map

News



This cartridge has a reduced tinned surface ideal for touching up.

C245 cartridge range is the widest one of JBC with many shapes, sizes and special models.

They are appropriate for general soldering purposes and they are perfect for both SMD components or for applications with high power requirements such as ground plane soldering.

They work with [T245](#) Handpieces.

[JBC Long Life Tips](#) offer instant heat up, excellent heat transfer and great durability.

They last **5 times longer** than other brands thanks to the JBC Most Efficient Soldering System and the Sleep & Hibernation features.

**REFERENCE****C245793****SPECIFICATIONS****Net weight** 0,005 kg (0.01lb)**WEIGHT AND DIMENSIONS****Package** 110 x 12 x 12 mm / 0.02 kg.  
4.33 x 0.47 x 0.47 in / 0.04 lbCopyright © 2022 JBC Soldering S.L. | [Legal Notice](#) | [Privacy Policy](#) | [Terms and Conditions](#) | [Cookie policy](#) | [RSS Feed](#) | [JBC Store](#) | [Contact Us](#)**CONNECTABLES****Compatible tools****T245-A****General Purpose Handle****T245-PA****Blue Grip General Purpose Handle****T245-NA****Nitrogen General Purpose Handle**